

# X-Ray SHARK® XD68

X-ray inspection system for packaged products



CASSEL XRAY SHARK® XD68

## Highlights

- Detects high density materials such as metal, glass, ceramic, stone or plastic
- Simple operation with autocalibration and clearly arranged functions on 17" touchscreen
- XIA software for instant analysis and detection with high accuracy and reliability

## Features

- Real time detection with color coded contamination analysis
- Masking function blocks off areas that do not require inspection.
- Auto-storing of inspection data with time and date stamp
- User-friendly menus for intuitive operation
- USB and Ethernet
- Quick release conveyor belt
- Built-in remote maintenance
- 24 hours non-stop operation
- TÜV-approved: reliable German safety standard (optional TÜV certificate)



# X-Ray SHARK® XD68

X-ray inspection system for packaged products

## Overview

The XD68 series of X-ray inspection equipment is ideally suited for packaged products moving on a conveyor line. It detects products with unwanted foreign matter such as metals, glass, stone, ceramics, and some dense plastics and optionally rejects them from the line.

The hygienic design allows for easy cleaning and maintenance of the device - no tools required. This makes the XD68 a tailored solution for all companies and industries that have to ensure high hygiene standards (also available with IP69k).



Large display and clearly arranged functions for easy operating.

## Included

- CASSEL X-ray Scanner with XIA image processing software
- Safety circuit for radiation exposure protection
- Certified test cards/wands for assured performance of the X-ray system

## Optional Accessories & Extras

- Radiation Meter
- 21 CFR Part 111 compliance, BRC\*
- Reject bin
- Separate conveyor with automatic reject

### \*BRC kit

With this option, the device meets the requirements of the British Retail Consortium (BRC) Global Standard for food safety and thus also the common standards for HACCP and IFS.

## Application

Inspection of packaged food and non-food products in

- Corrugated board or plastic boxes
- Metal foil and plastic covered packages
- Pouch bags
- Jars or metal cans





# X-Ray SHARK® XD68

X-ray inspection system for packaged products



XRAY SHARK® for product containers in cartons.

## Specifications

Model	XD68-H1	XD68-H2
X-ray source	Single beam X-ray generator with	Dual beam X-ray generator with
	max. 80kV (480W)	max. 80kV (2x 480W)
	variable in voltage + current	
Radiation leakage	3 µSv/h or less at 10 cm outside cabinet surfaces	
Safety	X-ray protective curtains (lead-free) - quickly detachable, magnetic safety switches at cabinet doors and tunnel hatches, emergency stop push button, emergency stop in/out interfaces to safety circuits of production line, X-ray off key switch	
X-ray detector	Low noise 816 mm line scan CCD, diode pitch 0.8 mm, integrated X-ray beam stop (optional diode pitch 0.4 mm)	
Cooling	Highly efficient, silent DC filter fans	
Housing finish	Stainless steel grade AISI 304 / DIN EN 1.4301 (X5CrNi18-10)	
Enclosure rating	IP54 (according to IEC 60529), including touch panel and fans, optional IP69k, optional air-conditioner unit	
Conveyor speed	Conveyor speed by product, 0,05 to 0,98 m/s (7 fixed speed steps)	
Belt width	680 mm	
Max. product dimensions (width x height)	650x180 mm / 560x250 mm / 500x300 mm / 450x350 mm / 320x450	680x400 mm
Max. product weight	50 kg	
Product memory	255 different product set-ups	
Display	17" Color-TFT capacitive touchscreen	
Inspection features	Auto-calibration, auto adaption to density distribution, density, hard contrast, soft contrast, masking technology, super contrast, size filter, auto edge masking, auto save/load of images, multi-segment-inspection, generator energy by product, password protection	
In-/Outputs	Programmable outputs (contamination, ready, Emergency OFF) Programmable inputs (Emergency OFF, wake up, optional control signals)	
Data transfer	Ethernet for remote support via internet, USB for external keyboard/ mouse/ memory stick	
Max. weight	1.5 ton	1.5 ton
Power supply	3ph, 400 VAC +/- 10%, 50/60 Hz, 2.0 kW full operation	1 ph, 230 VAC +/- 10%, 50/60 Hz, 2.0 kW full operation
Compressed air supply	Without reject unit 0 MPa (0 bar/0 psi) bar With reject unit 0,4 MPa (4 bar/58 psi)	
X-ray view	1x top down	2x top down
Environmental conditions	10°C to +35°C / 50°F to 95°F	
	with relative humidity max 90%, non-condensing	
	Option: additional external cooling devices to extend the temperature range	
Conformity	CE, compliant to German x-ray regulations, specific adaptation for other countries	

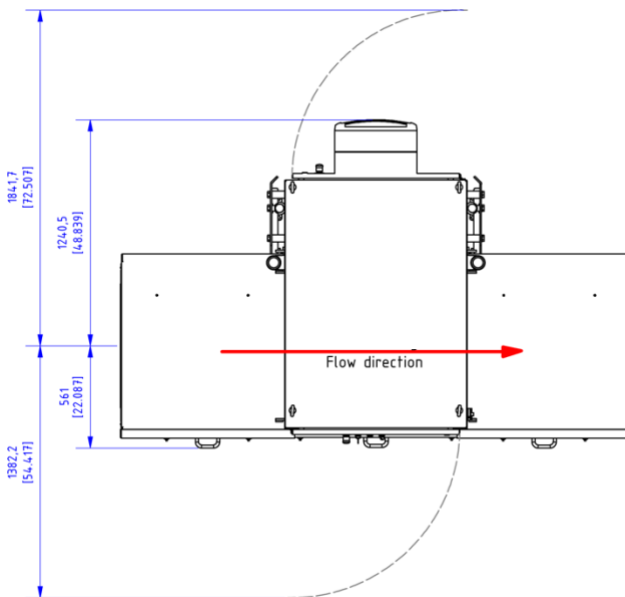
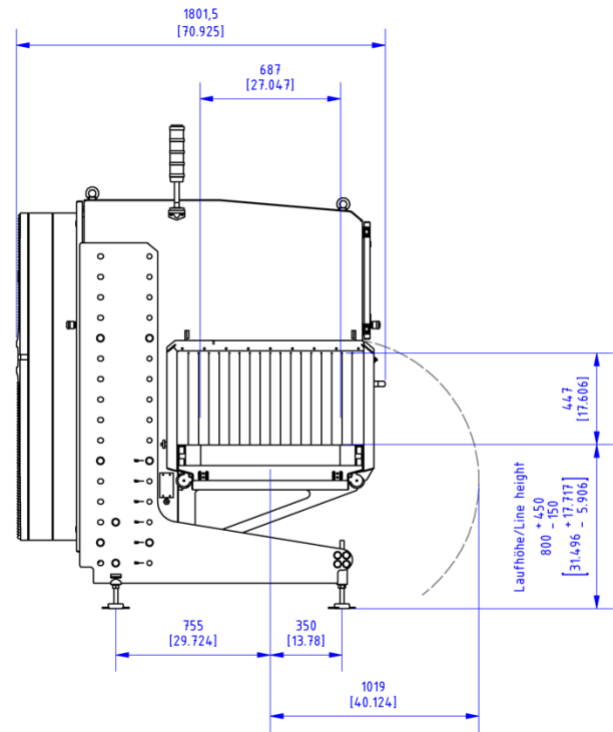
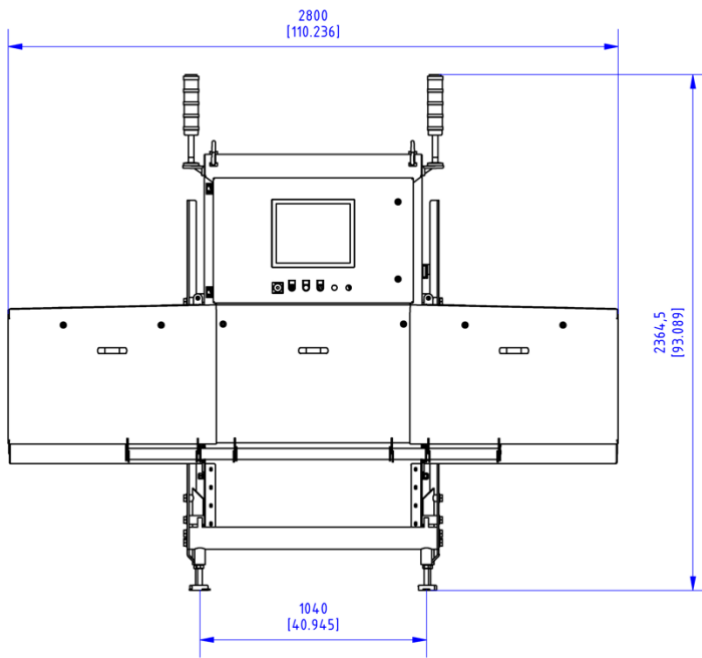
All information is based on standard devices. There possibly will be differences depending on the application. Changes to be excepted.



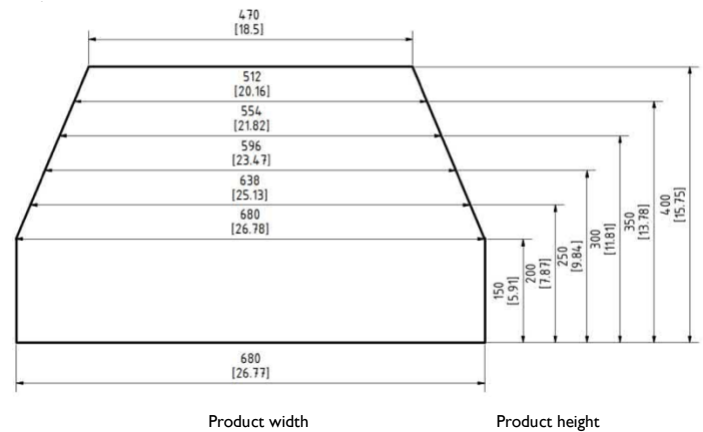
# X-Ray SHARK® XD68

X-ray inspection system for packaged products

## Dimensions XD68-H1



Max. product height versus max. product width, due to shape of X-ray



**CASSEL Inspection US**  
 2440 W Corporate Preserve Drive, Ste. 600  
 Oak Creek, WI 53154  
 USA  
**Phone:** +1-414-574-4220  
**Email:** us.sales@cassel-inspection.com,  
 us.service@cassel-inspection.com  
**Website:** www.cassel-inspection.com

**CASSEL Messtechnik GmbH**  
 In der Dehne 10  
 37127 Dransfeld  
 Germany  
**Phone:** +49 (0) 5502 91150  
**Fax:** +49 (0) 5502 911532  
**Email:** info@cassel.de  
**Website:** www.cassel-inspection.com