

X-Ray SHARK® XD47

X-ray inspection system for packaged products



CASSEL XRAY SHARK® XD47

Highlights

- Detects high density materials such as metal, glass, ceramic, stone or plastic
- Simple operation with autocalibration and clearly arranged functions on 17" touchscreen
- XIA software for instant analysis and detection with high accuracy and reliability

Features

- Real time detection with color coded contamination analysis
- Masking function blocks off areas that do not require inspection.
- Auto-storing of inspection data with time and date stamp
- User-friendly menus for intuitive operation
- USB and Ethernet
- Quick release conveyor belt
- Built-in remote maintenance
- 24 hours non-stop operation
- TÜV-approved: reliable German safety standard (optional TÜV certificate)



X-Ray SHARK® XD47

X-ray inspection system for packaged products

Overview

The XD47 series of x-ray inspection equipment is ideally suited for packaged products moving on a conveyor line. It detects products with unwanted foreign matter such as metals, glass, stone, ceramics, and some dense plastics and optionally rejects them from the line.

All inspection systems are individually manufactured and can therefore be customized to your existing production line and individual product requirements. For example, the XD47-H2-E2-MEAT is a tailored solution to the inspection of meat in standardized E2 crates.



Large display and clearly arranged functions for easy operating.

Included

- CASSEL X-ray Scanner with XIA image processing software
- Safety circuit for radiation exposure protection
- Certified test cards/wands for assured performance of the X-ray system

Application

Inspection of packaged food and non-food products in

- Corrugated board or plastic boxes
- Metal foil and plastic covered packages
- Pouch bags
- Jars or metal cans

Optional Accessories & Extras

- Radiation Meter
- 21 CFR Part 111 compliance, BRC*
- Various reject devices and reject bins, shelves, and other options.
- Separate conveyor with automatic reject



*BRC kit

With this option, the device meets the requirements of the British Retail Consortium (BRC) Global Standard for food safety and thus also the common standards for HACCP and IFS.



X-Ray SHARK® XD47

X-ray inspection system for packaged products



Specifications

Model	XD47-H1	XD47-H2	XD47-H3-E2-MEAT
X-ray source	Single beam X-ray generator with	Dual beam X-ray generator with	
	max. 80kV (480W)	max. 80kV (2x 480W)	max. 80kV (2x 480W)
	variable in voltage + current		
Radiation leakage	3 µSv/h or less at 10 cm outside cabinet surfaces		
Safety	X-ray protective curtains (lead-free) - quickly detachable, magnetic safety switches at cabinet doors and tunnel hatches, emergency stop push button, emergency stop in/out interfaces to safety circuits of production line, X-ray off key switch		
X-ray detector	Low noise 612 mm	Low noise 510 mm	Low noise 510 mm
	line scan CCD, diode pitch 0.8 mm, integrated X-ray beam stop (optional diode pitch 0.4 mm)		
Cooling	Highly efficient, silent DC filter fans		
Housing finish	Stainless steel grade AISI 304 / DIN EN 1.4301 (X5CrNi18-10)		
Enclosure rating	IP54 (according to IEC 60529), including touch panel and fans, optional IP69k, optional air-conditioner unit		
Conveyor speed	Conveyor speed by product, 0,05 to 0,98 m/s (7 fixed speed steps)		
Belt width	400 mm (net width 380 mm)		
Max. product dimensions (width x height)	440x180 mm / 380x250 mm / 350x300 mm / 260x400 mm / 220x450 mm	470x400 mm	470x400 mm
Max. product weight	50 kg		
Product memory	255 different product set-ups		
Display	17" Color-TFT capacitive touchscreen		
Inspection features	Auto-calibration, auto adaption to density distribution, density, hard contrast, soft contrast, masking technology, super contrast, size filter, auto edge masking, auto save/load of images, multi-segment-inspection, generator energy by product, password protection		
In-/Outputs	Programmable outputs (contamination, ready, Emergency OFF) Programmable inputs (Emergency OFF, wake up, optional control signals)		
Data transfer	Ethernet for remote support via internet, USB for external keyboard/ mouse/ memory stick		
Max. weight	1.3 ton	1.4 ton	1.4 ton
Power supply	1ph, 230 VAC +/- 10%, 50/60 Hz, 2.0 kW full operation		
Compressed air supply	Without reject unit 0 MPa (0 bar/0 psi) bar		
	With reject unit 0,4 MPa (4 bar/58 psi)		
X-ray view	1x top down	2x top down	2x top down
Environmental conditions	0°C to +30°C / 32°F to 86°F, with relative humidity max 90%, non-condensing Option: additional external cooling devices to extend the temperature range		
Conformity	CE, compliant to German x-ray regulations, specific adaptation for other countries		

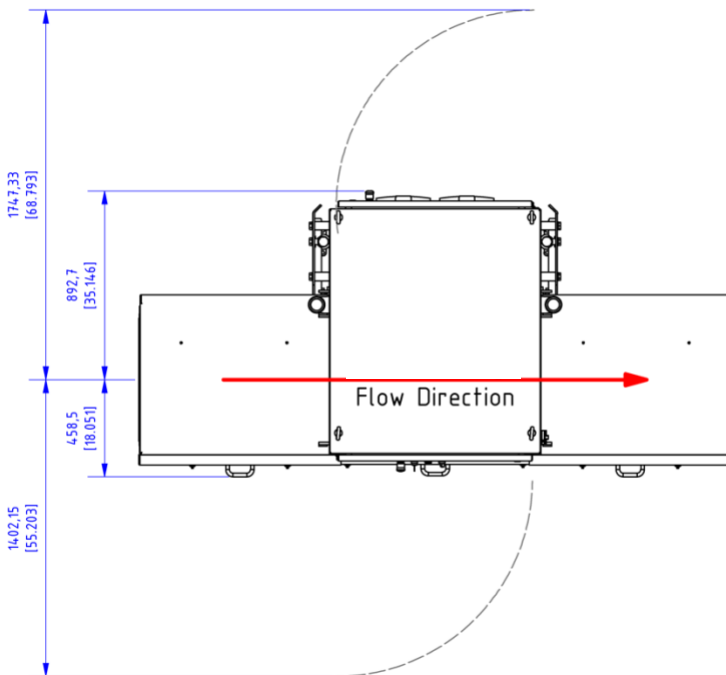
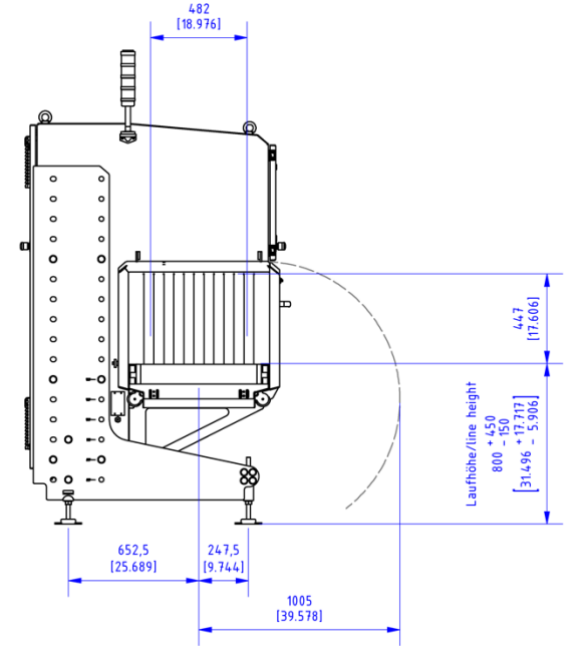
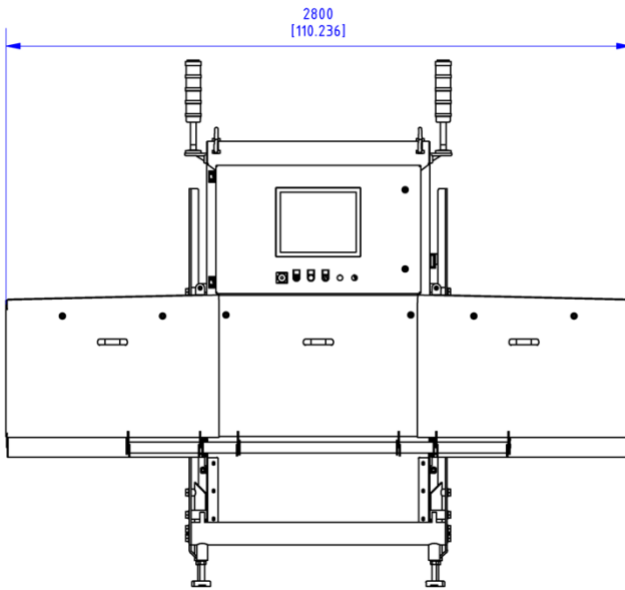
All information is based on standard devices. There possibly will be differences depending on the application.
Changes to be expected.



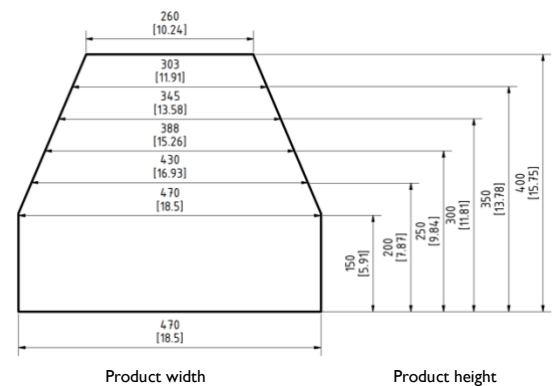
X-Ray SHARK® XD47

X-ray inspection system for packaged products

Dimensions XD47-H1



Max. product height versus max. product width, due to shape of X-ray



CASSEL Inspection US
 2440 W Corporate Preserve Drive, Ste. 600
 Oak Creek, WI 53154
 USA
Phone: +1-414-574-4220
Email: us.sales@cassel-inspection.com,
 us.service@cassel-inspection.com
Website: www.cassel-inspection.com

CASSEL Messtechnik GmbH
 In der Dehne 10
 37127 Dransfeld
 Germany
Phone: +49 (0) 5502 91150
Fax: +49 (0) 5502 911532
Email: info@cassel.de
Website: www.cassel-inspection.com

