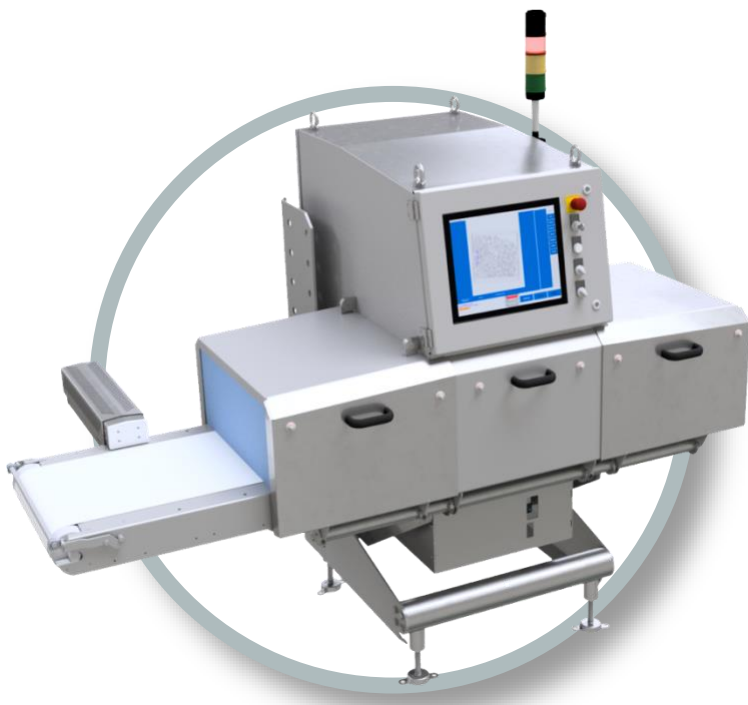


X-Ray SHARK® XD38

X-ray inspection system for packaged products



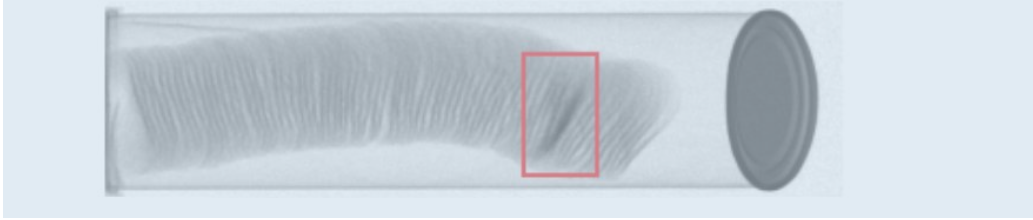
CASSEL XRAY SHARK® XD38-L1

Highlights

- Detects high density materials like metal, ceramic, stone or some dense plastics
- Simple operation with autocalibration and clearly arranged functions on 17" touchscreen
- XIA software for instant analysis and detection with high accuracy and reliability

Features

- Real time detection with color coded contamination analysis
- Masking capability to block off areas that should not be inspected
- Auto-storing of inspection data with time and date stamp
- User-friendly menus for intuitive operation
- USB and Ethernet
- Quick release conveyor belt
- Built-in remote maintenance
- 24 hours non-stop operation
- TÜV-approved: reliable German safety standard (optional TÜV certificate)



X-Ray SHARK® XD38

X-ray inspection system for packaged products

Overview

The XD38 Series is ideal for packaged food or non-food products, for example in plastic packaging, jars, cartons and even metal foil or metal cans. For the detection of unwanted foreign objects such as metal, stones, ceramic or plastic with high density in the product.

The hygienic design allows for easy cleaning and maintenance of the device - no tools required. This makes the XD38 X-ray inspection system a tailored solution for all companies and industries that must ensure high hygiene standards (also available with IP69k).

Included

- CASSEL X-ray Scanner with XIA image processing software
- Safety circuit for radiation exposure protection
- Certified test cards/wands for assured performance of the X-ray system

Optional Accessories & Extras

- Radiation Meter
- 21 CFR Part 111 compliance, BRC*
- Reject bin
- Separate conveyor with automatic reject

*BRC kit

With this option, the device meets the requirements of the British Retail Consortium (BRC) Global Standard for food safety and thus also the common standards for HACCP and IFS.

Application

Inspection of packaged food and non-food products in

- Corrugated board or plastic boxes
- Metal foil and plastic covered packages
- Pouch bags
- Jars or metal cans



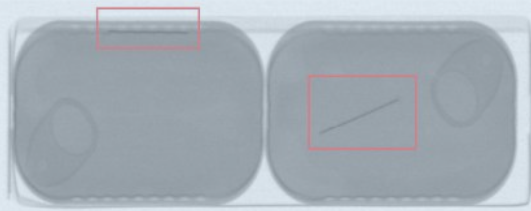
Large display and clearly arranged functions for easy operating.



CASSEL XRAY SHARK® XD38-L1 Frontview

X-Ray SHARK® XD38

X-ray inspection system for packaged products



Interior View of Conveyor Belt

Specifications

Model	XD38-L1	XD38-H1
X-ray source	Single beam X-ray generator with	
	max. 60kV (50W)	max. 80kV (480W)
	variable in voltage + current	
Radiation leakage	1 µSv/h or less	3 µSv/h or less
	at 10 cm outside cabinet surfaces	
Safety	X-ray protective curtains (lead-free) - quickly detachable, magnetic safety switches at cabinet doors and tunnel hatches, emergency stop push button, emergency stop in/out interfaces to safety circuits of production line, X-ray off key switch	
X-ray detector	Low noise 408 mm	Low noise 408 mm
	line scan CCD, diode pitch 0.8 mm, integrated X-ray beam stop (optional diode pitch 0.4 mm)	
Cooling	Highly efficient, silent DC filter fans	
Housing finish	Stainless steel grade AISI 304 / DIN EN 1.4301 (X5CrNi18-10)	
Enclosure rating	IP54 (according to IEC 60529), including touch panel and fans, optional IP69k, optional air-conditioner unit	
Conveyor speed	Conveyor speed by product, 0.05 to 0.98 m/s (7 fixed speed steps)	
Belt width	400 mm (net width 380 mm)	
Max. product dimensions (width x height)	340x60 mm / 300x100mm / 250x160 mm / 200x200 mm	
Max. product weight	7 kg	
Product memory	255 different product set-ups	
Display	17" Color-TFT capacitive touchscreen	
Inspection features	Auto-calibration, auto adaption to density distribution, density, hard contrast, soft contrast, masking technology, super contrast, size filter, auto edge masking, auto save/load of images, multi-segment-inspection, generator energy by product, password protection	
In-/Outputs	Programmable outputs (contamination, ready, Emergency OFF) Programmable inputs (Emergency OFF, wake up, optional control signals)	
Data transfer	Ethernet for remote support via internet, USB for external keyboard/ mouse/ memory stick	
Max. weight	0.5 ton	0.7 ton
Power supply	1ph, 230 VAC +/- 10%, 50/60 Hz, full operation: max. 0.5 kW	
Compressed air supply	Without reject unit 0 MPa (0 bar/0 psi) bar With reject unit 0,4 MPa (4 bar/58 psi)	
Available reject method	Second conveyor with Air jet or transversal pusher	
Environmental conditions	0°C to +30°C / 32°F to 86°F, with relative humidity max 90%, non-condensing Option: additional external cooling devices to extend the temperature range	
Conformity	CE, compliant to German x-ray regulations, specific adaptation for other countries	

All information is based on standard devices. There possibly will be differences depending on the application.
Changes to be excepted.



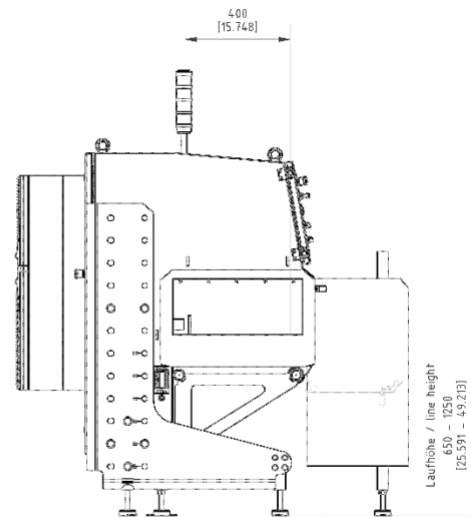
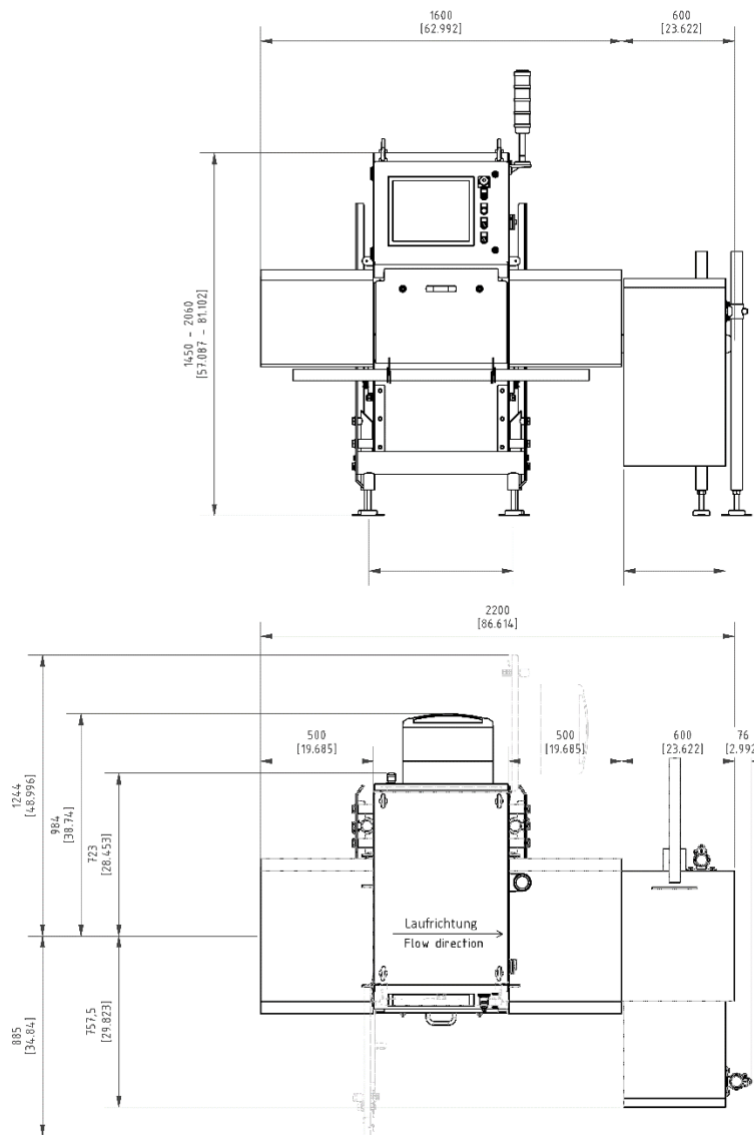
X-Ray SHARK® XD38

X-ray inspection system for packaged products

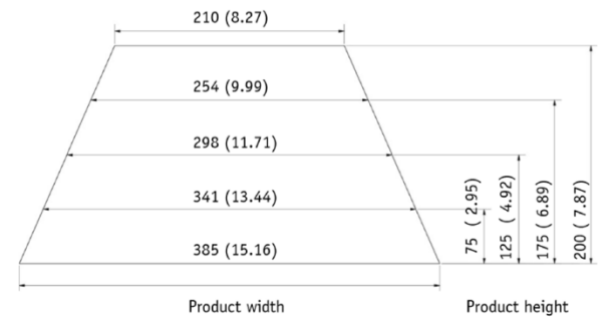


Insideview of the inspection area

Dimensions XD38-L1



Max. product height versus max. product width, due to the shape of x-ray beam fan



CASSEL Messtechnik GmbH
 In der Dehne 10
 37127 Dransfeld
 Germany
Tel.: +49 (0) 5502 91150
Fax: +49 (0) 5502 911532
Email: info@cassel.de
Website: www.cassel-inspection.com

CASSEL Inspection US
 2440 W Corporate Preserve Drive, Ste. 600
 Oak Creek, WI 53154
 USA
Phone: +1-414-574-4220
Email: us.sales@cassel-inspection.com,
 us.service@cassel-inspection.com
Website: www.cassel-inspection.com

