



X-Ray SHARK®

XD08-H1-PIPE/-WASH

X-ray inspection system for liquid and pasty products



CASSEL XRAY SHARK® XD08-H1-PIPE

Highlights

- X-ray inspection for packaged liquid and pasty products
- Detects high density materials like metal, ceramic, stone or plastic
- Simple operation with autocalibration and clearly arranged functions on 17" touchscreen
- XIA software for instant analysis and detection with high accuracy and reliability
- Easy to integrate into common pipeline systems from 1" – 6"

Features

- Real time detection with color coded contamination analysis
- Masking function blocks off areas that do not require inspection.
- Auto-storing of inspection data with time and date stamp
- User-friendly menus for intuitive operation
- USB and Ethernet
- Three different rejection valves for optimal adaptation to the product
- Quick release of pipe for cleaning & maintenance ('CIP - cleaning in place' for pipe possible)
- Built-in remote maintenance
- 24 hours non-stop operation
- TÜV-approved: reliable German safety standard (optional TÜV certificate)



X-Ray SHARK® XD08-H1-PIPE/-WASH

X-ray inspection system for liquid and pasty products

Overview

The XD08-H1-PIPE is designed for X-ray inspection of liquid and pasty products in pressure delivery pipelines. Undesirable contaminants such as metal, stone, ceramic, glass or plastic with high density can be detected in the product.

The hygienic design allows easy cleaning and maintenance without any tools, thus, the XD08-H1-PIPE is especially suitable for all industries that have to ensure effective hygienic standard.

Included

- CASSEL Xray Scanner with XIA image processing software
- Safety circuit for radiation exposure protection
- Certified test cards/wands for assured performance of the X-ray system

Optional Accessories & Extras

- Radiation Meter
- 21 CFR Part 111 compliance, BRC*
- Reject system

*BRC kit

With this option, the device meets the requirements of the British Retail Consortium (BRC) Global Standard for food safety and thus also the common standards for HACCP and IFS.

Application

X-ray inspection of pastes and liquids in pressurized pipelines

- Soup
- Sauces, ketchup
- Toothpaste or fluids

Industries

- Food
- Pharma
- Cosmetics



*XRAY SHARK® XD08-H1-PIPE
with air pressure reject system.*



X-Ray SHARK® XD08-H1-PIPE/-WASH

X-ray inspection system for liquid and pasty products

Specifications

Model	XD08-H1-PIPE	XD08-H1-PIPE-WASH
X-ray source	Single beam X-ray generator with max. 80kV (480W) variable in voltage + current	
Radiation leakage	3 μ Sv/h or less at 10 cm outside cabinet surfaces	
Safety	Special pipe for products, quickly detachable, magnetic safety switch at cabinet doors and tunnel hatches, emergency stop push button, emergency stop in/out interfaces to safety circuits of production line, X-ray off key switch	
X-ray detector	Low noise 408 mm line scan CCD, diode pitch 0.8 mm, integrated X-ray beam stop (optional diode pitch 0.4 mm)	
Cooling	Highly efficient, silent DC filter fans	
Housing finish	Stainless steel grade AISI 304 / DIN EN 1.4301 (X5CrNi18-10)	
Enclosure rating	IP54 (according to IEC 60529)	IP69k
Product memory	255 different product set-ups	
Display	17" Color-TFT capacitive touchscreen	
Inspection features	Auto-calibration, auto adaption to density distribution, density, hard contrast, soft contrast, masking technology, super contrast, size filter, auto edge masking, auto save/load of images, multi-segment-inspection, generator energy by product, password protection	
In-/Outputs	Programmable outputs (contamination, ready, Emergency OFF) Programmable inputs (Emergency OFF, wake up, optional control signals)	
Data transfer	Ethernet for remote support via internet, USB for external keyboard/ mouse/ memory stick	
Max. weight	0.4 ton	
Power supply	1 ph, 230 VAC +/- 10%, 50/60 Hz, full operation: max. 0.5 kW	
Compressed air supply	Without reject unit 0 MPa (0 bar/0 psi) bar With reject unit 0,4 MPa (4 bar/58 psi)	
Available reject method	Butterfly/shim valve, arc valve or piston valve	
Environmental conditions	10°C to +25°C / 50°F to 77°F, with relative humidity max 90%, non-condensing Option: additional external cooling devices to extend the temperature range	
Conformity	CE, compliant to German x-ray regulations, specific adaptation for other countries	

All information is based on standard devices. There possibly will be differences depending on the application.
Changes to be excepted.



X-Ray SHARK® XD08-H1-PIPE/-WASH

X-ray inspection system for liquid and pasty products

Rejects

Three different valve types, optimally matched to the respective product, guarantee reliable discharge of metallic contaminants. All valves can be CIP cleaned.



Butterfly-/Shim valve EX-BF

- for liquids and slightly pasty products
- very stable
- pre-opening on ejection side prevents recoil into pipeline
- low-cost version
- for pressure up to 8 bar



Arc valve EX-BOG

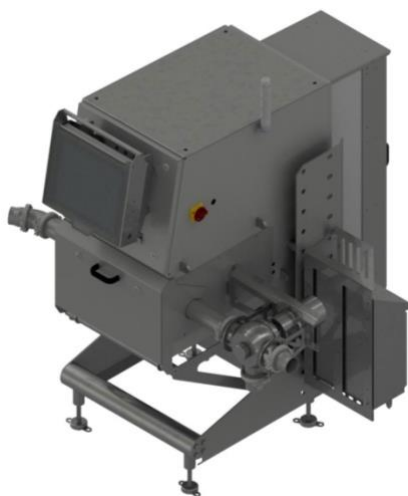
- for viscous, pasty products
- for liquids with solids in it
- for pressure up to 40 bar
- CIP-cleanable and free from dead spaces
- suitable for cleaning with a cleaning pig



Piston valve EX-PWC

- for tough pastes like sausage meat
- internal piston lowers into the product flow and "punches" contaminated product parts out of the product flow
- for pressure up to 25 bar

X-Ray SHARK® XD08-H1-PIPE-WASH with IP69k



CASSEL Inspection US
 2440 W Corporate Preserve Drive, Ste. 600
 Oak Creek, WI 53154
 USA
Phone: +1-414-574-4220
Email: us.sales@cassel-inspection.com,
 us.service@cassel-inspection.com
Website: www.cassel-inspection.com

CASSEL Messtechnik GmbH
 In der Dehne 10
 37127 Dransfeld
 Germany
Tel.: +49 (0) 5502 91150
Fax: +49 (0) 5502 911532
Email: info@cassel.de
Website: www.cassel-inspection.com

CASSEL
 INSPECTION