

X-Ray SHARK® XD28-L1

X-ray inspection system for packaged products



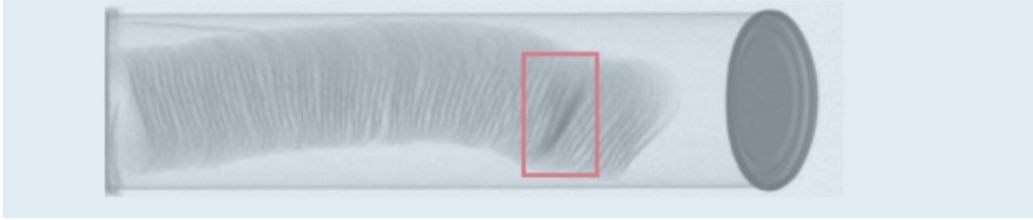
CASSEL XRAY SHARK® XD28-L1

Highlights

- X-ray inspection for packaged food or non-food products
- Detects high density materials like metal, ceramic, stone or plastic
- Simple operation with autocalibration and clearly arranged functions on 17" touchscreen
- XIA software for instant analysis and detection with high accuracy and reliability

Features

- Real time detection with coloured contamination analysis
- Masking functions
- Auto-storing of inspection data with time and date stamp
- User-friendly menus for intuitive operation
- USB and Ethernet
- Quick release conveyor belt
- Built-in remote maintenance
- 24 hours non-stop operation
- TÜV-approved: reliable German safety standard (optional TÜV certificate)



X-Ray SHARK® XD28-L1

X-ray inspection system for packaged products

Overview

The XRAY SHARK® XD28-L1 is ideal for packaged food or non-food products, in boxes, plastic packaging and even metal foils or metal cans. Contaminants such as metal, stone, ceramic or plastic with high density can be detected.

The hygienic design allows easy cleaning and maintenance without any tools, thus, the XD28-L1 is especially suitable for all industries that have to ensure effective hygienic standards (also available with IP69k).

Included

- CASSEL Xray Scanner with XIA image processing software
- Safety circuit for radiation exposure protection
- Certified test cards/wands for assured performance of the X-ray system

Optional Accessories & Extras

- Radiation Meter
- 21 CFR Part 111 compliance, BRC*
- Reject bin
- Separate conveyor with automatic reject

*BRC kit

With this option, the device meets the requirements of the British Retail Consortium (BRC) Global Standard for food safety and thus also the common standards for HACCP and IFS.



Large display and clearly arranged functions for easy operation.

Application

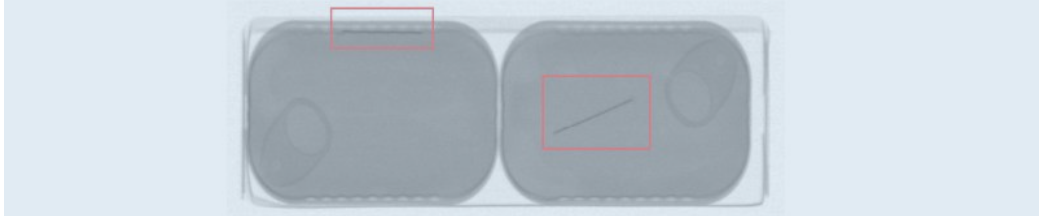
Inspection of packaged food and non-food products in

- Cardboard or plastic boxes
- Metal foil and plastic covered packages
- Pouch bags
- Jars or metal cans



XRAY SHARK® XD28-L1
with air pressure reject system.

CASSEL
INSPECTION



X-Ray SHARK® XD28-L1

X-ray inspection system for packaged products



Specifications

Model	XD28-L1
X-ray source	Single beam X-ray generator with max. 60kV (50W) variable in voltage + current
Radiation leakage	1 µSv/h or less at 10 cm outside cabinet surfaces
Safety	X-ray protective curtains (lead-free) - quickly detachable, magnetic safety switches at cabinet doors and tunnel hatches, emergency stop push button, emergency stop in/out interfaces to safety circuits of production line, X-ray off key switch
X-ray detector	Low noise 307 mm line scan CCD, diode pitch 0.8 mm, integrated X-ray beam stop (optional diode pitch 0.4 mm)
Cooling	Highly efficient, silent DC filter fans
Housing finish	Stainless steel grade AISI 304 / DIN EN 1.4301 (X5CrNi18-10)
Enclosure rating	IP54 (according to IEC 60529), optional IP69k
Conveyor speed	Conveyor speed by product, 0,05 to 0,98 m/s (7 fixed speed steps)
Belt width	300 mm (net width 280 mm)
Max. product dimensions (width x height)	250x25 mm / 230x50mm / 200x75 mm / 180x100 mm / 155x125 mm
Max. product weight	7 kg
Product memory	255 different product set-ups
Display	17" Color-TFT capacitive touchscreen
Inspection features	Auto-calibration, auto adaption to density distribution, density, hard contrast, soft contrast, masking technology, super contrast, size filter, auto edge masking, auto save/load of images, multi-segment-inspection, generator energy by product, password protection
In-/Outputs	Programmable outputs (contamination, ready, Emergency OFF) Programmable inputs (Emergency OFF, wake up, optional control signals)
Data transfer	Ethernet for remote support via internet, USB for external keyboard/ mouse/ memory stick
Max. weight	0.4 ton
Power supply	1 ph, 230 VAC +/- 10%, 50/60 Hz, full operation: max. 0.5 kW
Compressed air supply	Without reject unit 0 MPa (0 bar/0 psi) bar With reject unit 0,4 MPa (4 bar/58 psi)
Available reject method	Second conveyor with Air jet or transversal pusher
Environmental conditions	10°C to +30°C / 50°F to 86°F, with relative humidity max 90%, non-condensing Option: additional external cooling devices to extend the temperature range
Conformity	CE, compliant to German x-ray regulations, specific adaptation for other countries

All information is based on standard devices. There possibly will be differences depending on the application. Changes to be expected.



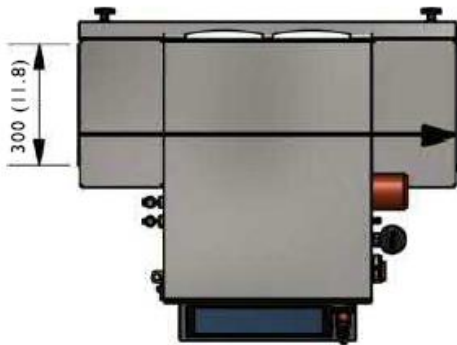
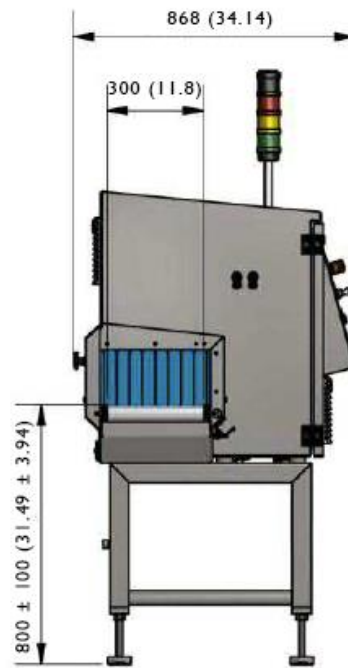
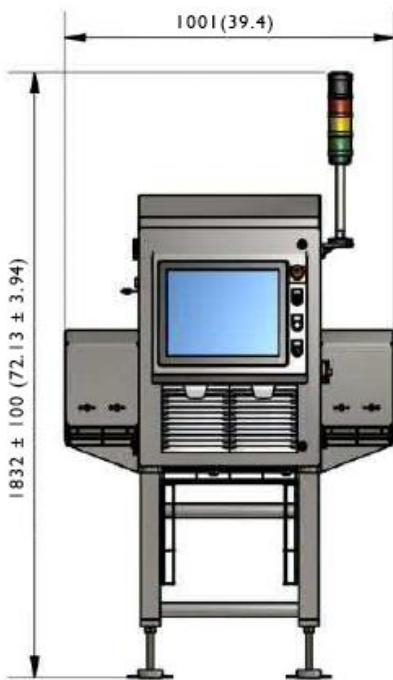
X-Ray SHARK® XD28-L1

X-ray inspection system for packaged products

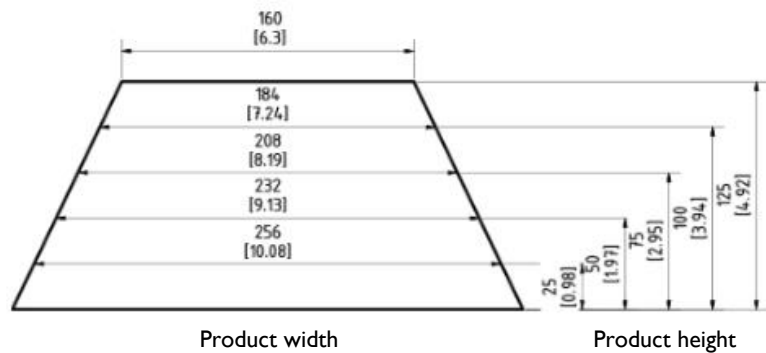


Removable double curtains for user protection and easy handling.

Dimensions XD28-L1



Max. product height versus max. product width, due to shape of X-ray beam fan



CASSEL Messtechnik GmbH
 In der Dehne 10
 37127 Dransfeld
 Germany
Tel.: +49 (0) 5502 91150
Fax: +49 (0) 5502 911532
Email: info@cassel.de
Website: www.cassel-inspection.com

CASSEL Inspection US
 2440 W Corporate Preserve Drive, Ste. 600
 Oak Creek, WI 53154
 USA
Phone: +1-414-574-4220
Email: us.sales@cassel-inspection.com,
 us.service@cassel-inspection.com
Website: www.cassel-inspection.com

